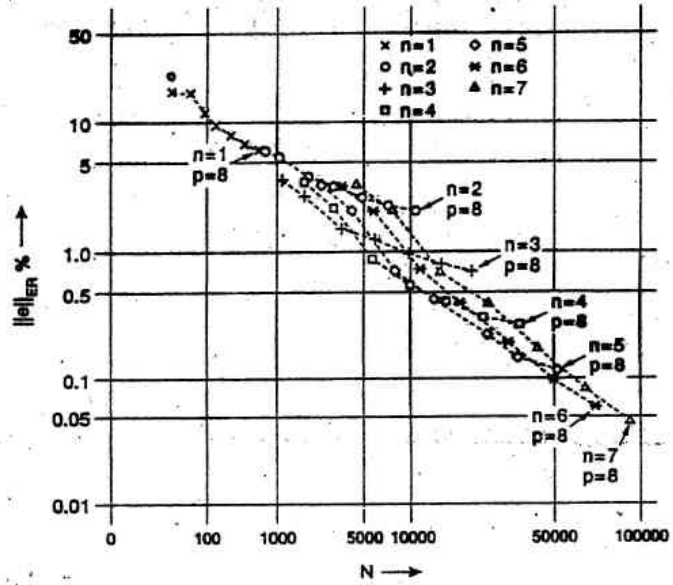
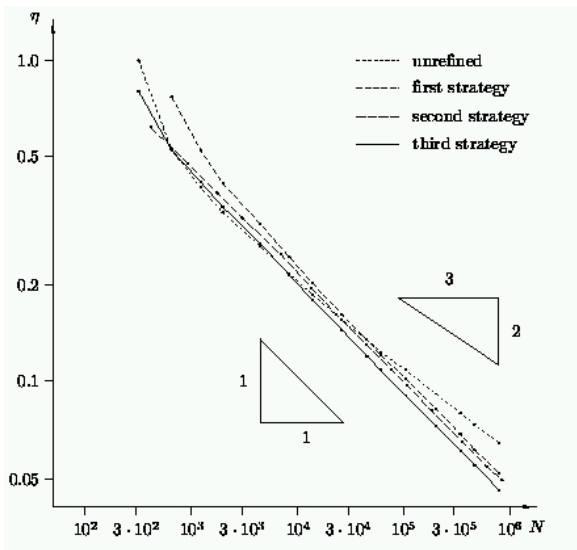
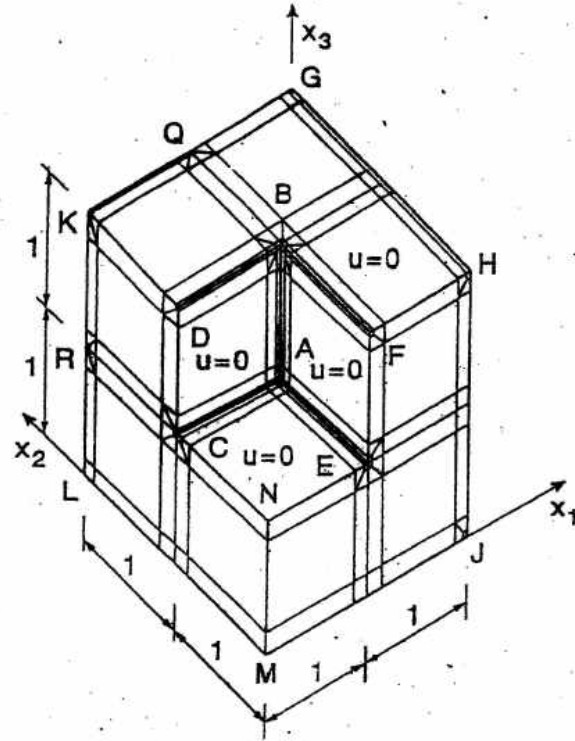
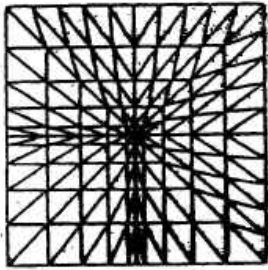
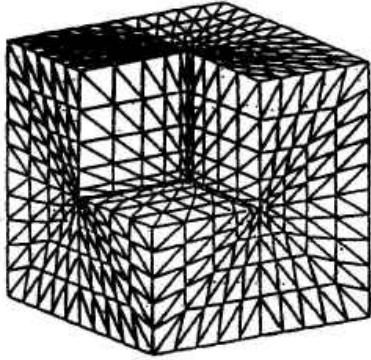


h -FEM vs. hp -FEM for a Poisson problem

Optimally graded meshes for h -FEM (left) and hp -FEM (right)



energy convergence: h -FEM (left) and hp -FEM (right)